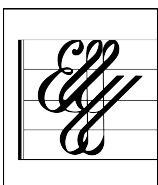
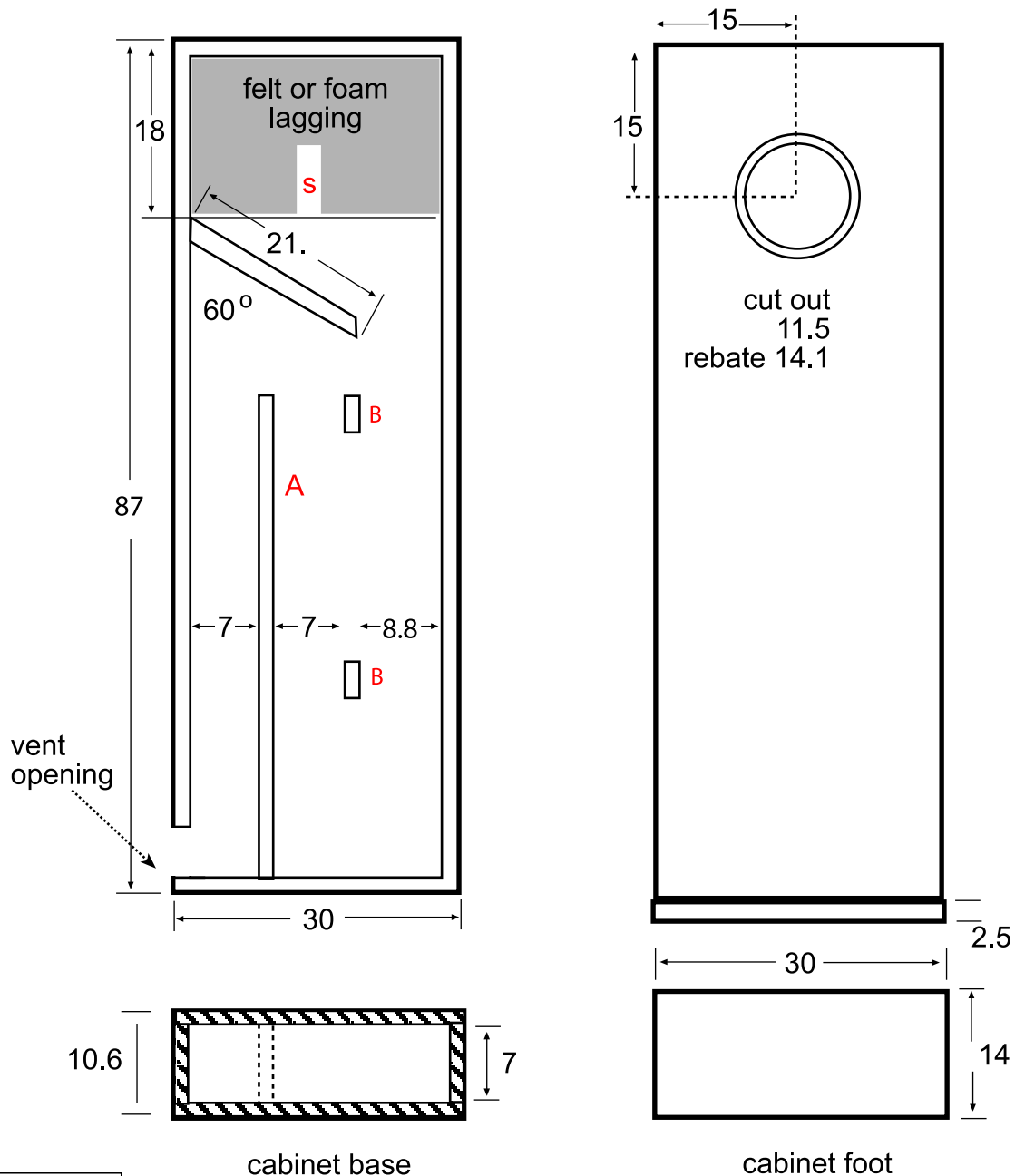


JORDAN JX92S VR reflex cabinet

This slim enclosure is only 100mm (4 inches) deep, visually elegant and easy to place. It can be placed with back against the wall in normal use or toed in for critical listening. Based on the VTL cabinet, it offers an alternative loading - bass reflex or vented. Overall sound is very similar but this cabinet is marginally easier to construct. The reflex port vents through the side of the cabinet, as shown. The base aids stability of the finished enclosure. All dimensions are given in centimetres.

- Driver** 1 x JORDAN JX92S.
- Materials** 18mm MDF or Baltic birch plywood.
- Filling** 10mm felt or foam as shown compressed under magnet on rear surface only, with 20mm slot **S** cut to allow air access to vent at the rear of the magnet.
- Fixing** 4 x 5mm screws into shown rebate. Captive T-Nuts rather than woodscrews are recommended.
- Partition A** forms the reflex port and is 50cm long (top to bottom).
- Blocks B** brace front and rear panels to reduce resonance, they are 7cm long and exact placement is not critical.
- Port** vent exit is 7cm x 7cm square.



Design ©Ted Jordan
 E.J. Jordan Designs, The Dak, Manorbier, Tenby, South Pembrokeshire, SA70 8QR, U.K.
 Telephone +44 (0)1834 871 209. www.ejjordan.co.uk